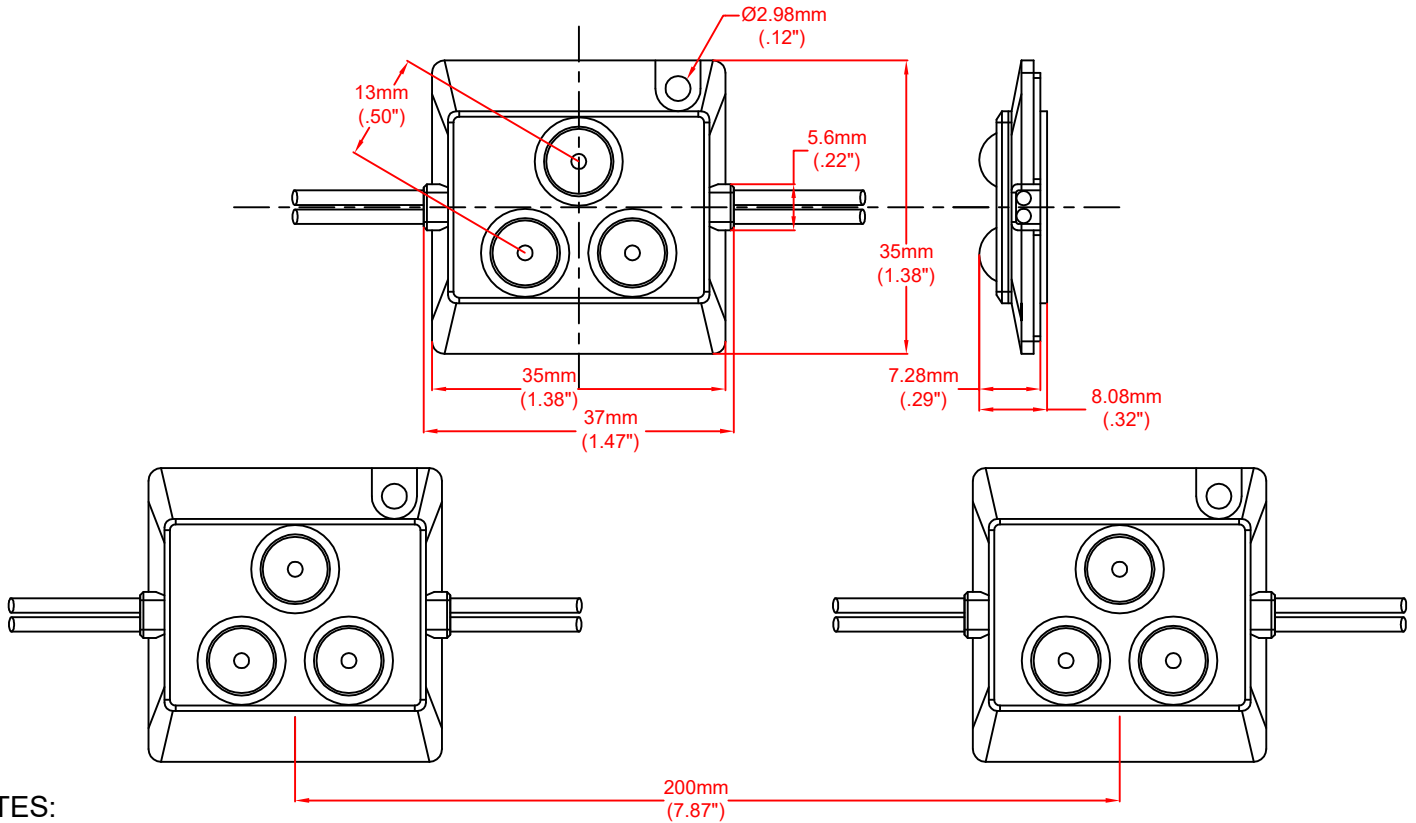


# WIDE BEAM LED CHANNEL MODULE

## FEATURES

- WIDE BEAM ANGLE (160°)
- LONG LIFE 50,000 HOURS TO L70
- EASY INSTALLATION
- WATER RESISTANT IP67
- LOW WORKING VOLTAGE 12 VDC
- 5 YEAR WARRANTY
- OPERATING TEMPERATURE -20°C TO +70°C
- STANDARD PACKAGING: 30 MODULES PER STRAND / 6 METERS



## NOTES:

1. Double Sided Tape on Backside of Modules.
2. Use a Number 3 Screw for Mounting.
3. Wire with Red Stripe is Positive Input
4. 20 AWG Wire.
5. Use no more than 50 Modules in Series.
6. Can be used with a ZPS-1260 Power Supply.



## SPECIFICATIONS

JKL Module Part Number	Input Voltage	Power Per Module	CCT	Beam Angle	CRI	Luminus Flux Per Module
ZM-3537-CW	12 VDC	1 Watt	6500K	160°	80	100 lm

JKL PART NUMBER: ZM-3537-CW

ATTENTION



OBSERVE PRECAUTION FOR HANDLING ELECTROSTATIC DISCHARGE SENSITIVE DEVICES

<b>METRIC</b>  THIRD ANGLE PROJECTION		DIMENSIONS ARE IN mm (INCHES) TOLERANCE UNLESS OTHERWISE SPECIFIED 1 PL +/- REF. 2 PL +/- ANGLE +/-		<b>JKL COMPONENTS CORPORATION</b> TITLE WIDE BEAM LED CHANNEL MODULE					
DRAWN BY L. WENGSTROM	APPV'D BY S.N.	DATE 9/16/19	SIZE <b>A</b>	FSCM NO. <b>55335</b>	DRAWING NO. ZM-3537-CW	RELEASED DATE 7/21/15	REVISION DATE 9/16/19	REV. NO. <b>B</b>	SHEET 1 OF 1
- CAD DRAWING - MANUAL REVISIONS NOT PERMITTED			SCALE NONE	RELEASED DATE 7/21/15	REVISION DATE 9/16/19	REV. NO. <b>B</b>	SHEET 1 OF 1		

REV. NO.	DESCRIPTION/ECO NI IMRFR	APPV'D DATE
B	ADD CANADIAN-US SYMBOL	9/16/19
A	ADD UL CERTIFICATION	8/12/15
	RELEASE	7/21/15